

FIGURE 100

imagePASS-M3
Network Multi-PDL Printer Unit-M3

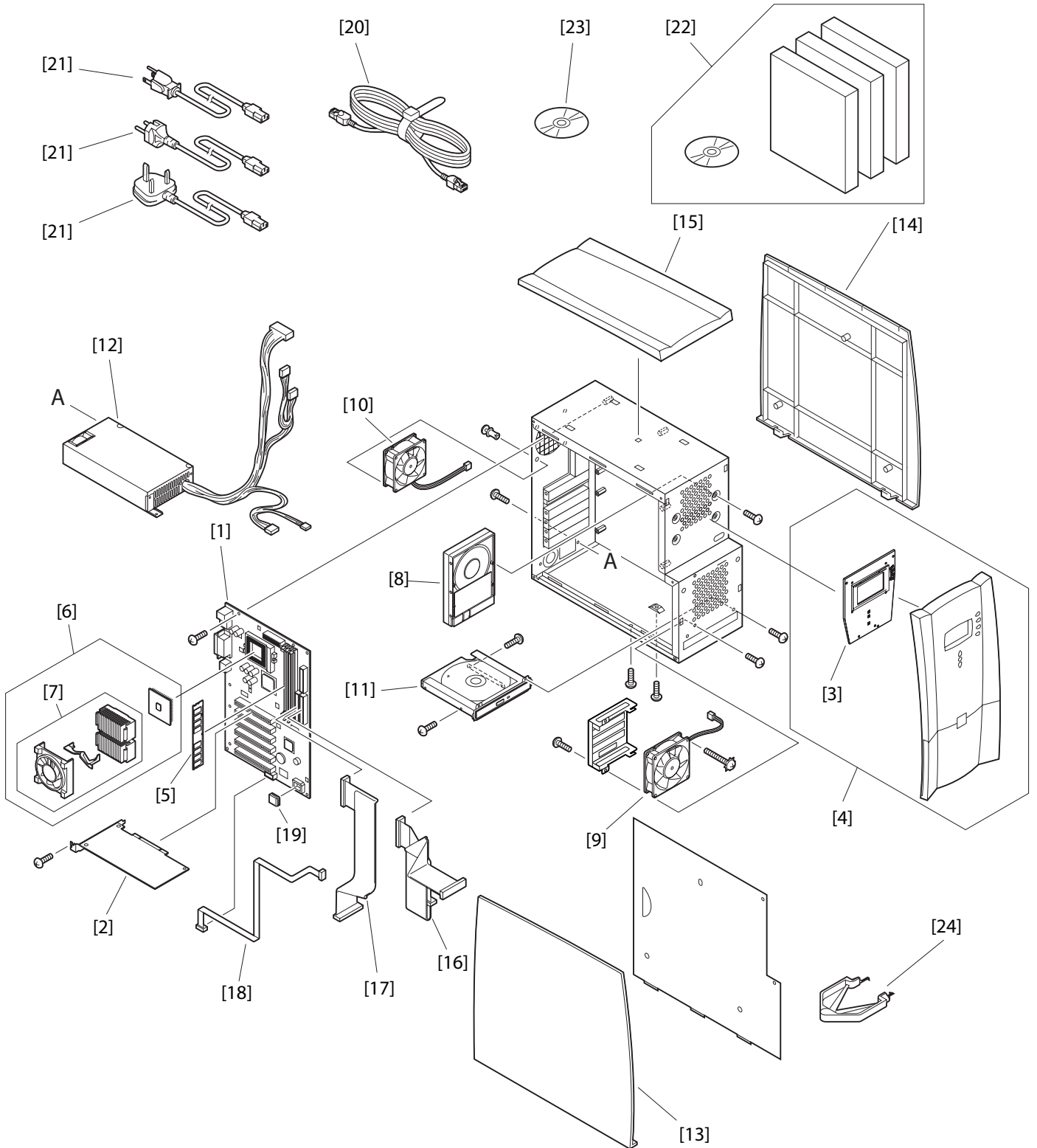


Figure & Key No.	PART NUMBER	Q'TY	DESCRIPTION	
100 -	NPN	RF	imagePASS-M3 / Network Multi-PDL Printer Unit-M3	
	1	FE1-5976-000	1	MOTHERBOARD PCB ASSEMBLY
	2	FE1-5553-000	1	VIDEO PCB ASSEMBLY
	3	FE1-5979-000	1	UIB PCB ASSEMBLY
	4	FE1-5983-000	1	FRONT PANEL UNIT, W/UIB, EUK+FIGS
		FE1-5984-000	1	FRONT PANEL UNIT, W/UIB, US
	5	FE1-5980-000	1	DIMM, 256MB
	6	FE1-5977-000	1	CPU UNIT, W/COOLING KIT
	7	FE1-5978-000	1	COOLING KIT
	8	FE1-5512-000	1	HDD, 40GB
	9	FE1-6052-000	1	FAN, FRONT
	10	FE1-5741-000	1	FAN, REAR
	11	FE1-5986-000	1	CD-ROM DRIVE UNIT
	12	FE1-5981-000	1	POWER SUPPLY UNIT
	13	FE1-5745-000	1	COVER, LEFT
	14	FE1-5746-000	1	COVER, RIGHT
	15	FE1-5744-000	1	COVER, TOP
	16	FE1-5500-000	1	CABLE, HDD
	17	FE1-5757-000	1	CABLE, CD-ROM
	18	FE1-5758-000	1	CABLE, UIB
	19	FE1-5747-000	1	BIOS CHIP
	20	FE1-6053-000	1	CABLE, CROSSOVER
	21	FE1-5563-000	1	POWER CORD, 120V, USA
		FE1-5564-000	1	POWER CORD, 230V, EUR
FE1-5565-000		1	POWER CORD, 230V, UK	
FE1-5880-000		1	POWER CORD, 230V, CHINESE	
22	FE1-5989-000	1	CD-ROM, MEDIAPACK, US	
	FE1-5990-000	1	CD-ROM, MEDIAPACK, UKE+FIGS	
23	FE1-5992-000	1	CD-ROM SYSTEM S/W, ROMAN	
24	FY9-2039-000		IC-REMOVING TOOL	